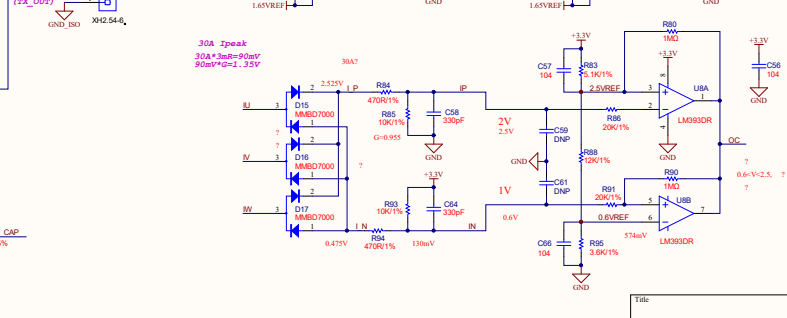
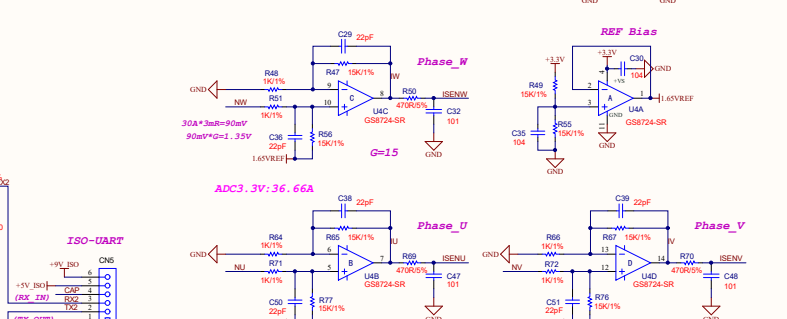
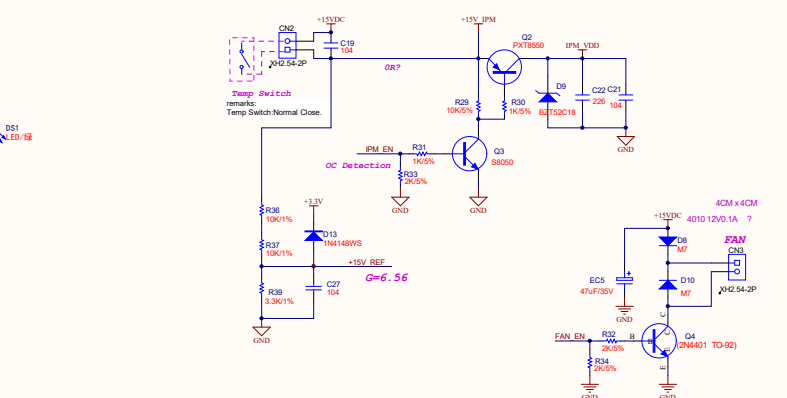
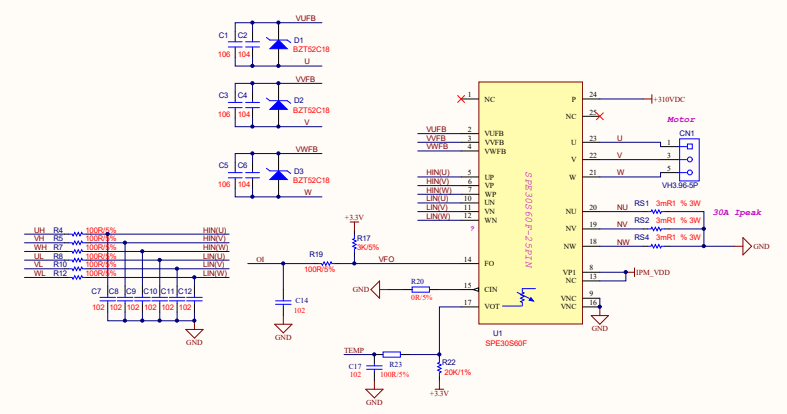


MCU Circuit



Task	Number	Revision
Size	A2	
Date	2024.3	Sheet
File	0155E-0001-02-01	2/2